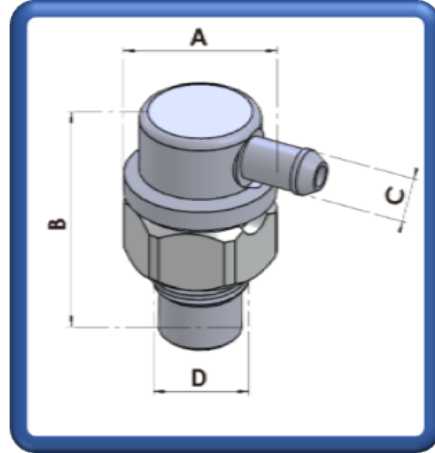




# Tank Mount Valves

**Vent Valve Blank, Tank Mount, Ø5.0 @ 90° – 7/16” UNF Thread.  
Part Number: CF-AA-029 (THV45)**



## **Specifications:**

**Fixing Arrangement:**

90° Ø5.0 Standpipe (Top)  
7/16” UNF Thread (Bottom)  
Motorsport, Automotive, Marine & General  
Operation Temperature -40°C to +80°C  
Anodised Silver  
10.5 grams  
0.6 litre/second  
Vertical ±10° (Top of Tank)

**Applications:**

**Compatibilities:**

**Finish:**

**Weight:**

**Flow Capacity:**

**Valve Placement:**

## **Materials:**

**Bodies:**

**O-Ring:**

**Internal Floatation Ball:**

**Secondary Floatation Ball:**

**Retention:**

**Nut:**

Aluminium Alloy 6082/T6  
Viton A (FPM or FKM)  
HDPE Plastic (Green)  
Stainless Steel 316  
Brass  
Aluminium Alloy 6063/T2

## **Dimensions:**

**Outside Diameter A:**

**Height B:**

**Bolts Circle Diameter C:**

**Depth D:**

17.5mm

29.0mm

Ø5.0 Spigot

7/16” x 20UNF Thread

## **Optional('s):**

**Vent Valve Rollover, Tank Mount, Ø5.0 @90° - 7/16” UNF Thread.**

**CF-AA-026 (THV45R)**

For extreme Fuel usage, please contact a Newton Representative.

***Fluid Containment – When It Matters***

Tell: +4420 8594 7990 / Fax: +4420 8594 7989 / [www.newton-equipment.com](http://www.newton-equipment.com) / [info@newton-equipment.com](mailto:info@newton-equipment.com)

Registered in England. 6 Orwell Close/ Fairview Ind. Park/ Rainham/ Essex/ RM13 8UB