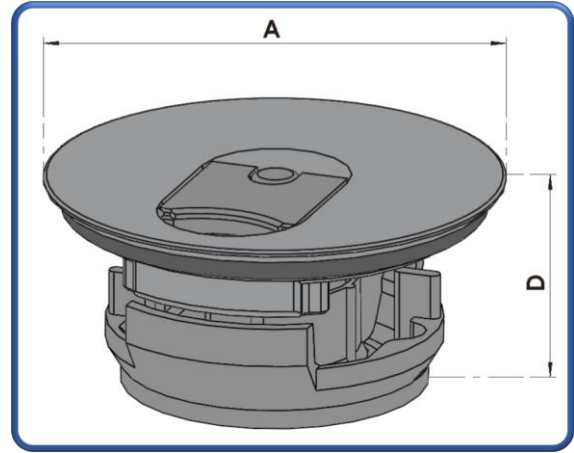




Aero 400

Aero 400 Fuel Filler, Locking, Black.
Part Number: CA-AA-015 (A4LT)



Specifications:

Fixing Arrangement:
Applications:
Compatibilities:
Finish:
Weight:
Supplied With:

Designed Flange and Neck Adaptors
Fuel, Oil & Water Tanks
Operation Temperature -40°C to +80°C
N/A
90.0 grams
N/A

Materials:

Centre Cap:
O-Ring:
Saddle:
Lever & Centre Pin:
Washer & Nyloc Nut:

Nylon
Viton A (FPM or FKM)
Acetal POM Kepital F20-03
Stainless Steel 303/304
Stainless Steel A2 Type

Dimensions:

Diameter A:
Width D:

76.5mm
35.5mm (Adjustable)

Optional('s):

Lanyard
Flange & Flange Necks

Fluid Containment – When It Matters

Tell: +4420 8594 7990 / Fax: +4420 8594 7989 / www.newton-equipment.com / info@newton-equipment.com
Registered in England. 6 Orwell Close/ Fairview Ind. Park/ Rainham/ Essex/ RM13 8UB